



INFORMATION

■ Electrostatic Protection

This product includes such features as electrically conductive plastic parts and grounding of the handpiece and station as measures to protect the device to be soldered from the effects of static electricity. Be sure to observe the following instructions:

1. The handle and other plastic parts are not insulators, they are conductors. When making repairs or replacing parts, take sufficient care not to expose live electrical parts or damage insulation materials.
2. Be sure to ground the unit during use.

2. SPECIFICATIONS

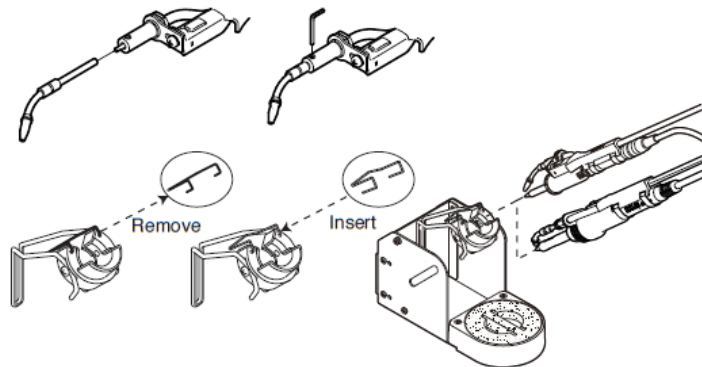
⚠ CAUTION

1.6mm dia. lead free solder is not available for use.

Adding the tube unit M, N, P, Q, R, S and T to HAKKO 373 and 374. Tube unit M and N are used for FM-2027 and FM-2028. Tube unit P and Q are used for HAKKO 912. Tube unit R, S and T are used for FX-8301.

● **Attaching the Guide Pipe Assembly**
Please insert the guide pipe assembly directly in the tube unit, and tighten lightly with a hex wrench (M3).

● **Usage of Iron Holder**
Replace the spring holder with the spring holder included in the set before placing the iron in the iron holder.



Part No.	Part Name	Dia. of Solder	Soldering Iron
B3477	Tube unit M / with Switch	0.6 ~ 1.0mm	FM-2027, FM-2028
B3478	Tube unit N / with Switch	1.2mm	
B3479	Tube unit P / with Switch	0.6 ~ 1.0mm	912
B3480	Tube unit Q / with Switch	1.2mm	
B3563	Tube unit R / with Switch	0.6 ~ 1.0mm	FX-8301
B3564	Tube unit S / with Switch	1.2 ~ 1.6mm (373)	
		1.2mm (374)	
B3565	Tube unit T / with Switch	1.6mm (374)	
B3481	Guide Pipe Assembly	0.6mm	FM-2027, FM-2028, 912
B3482	Guide Pipe Assembly	0.8mm	
B3483	Guide Pipe Assembly	1.0mm	
B3484	Guide Pipe Assembly	1.2mm	
B3566	Guide Pipe Assembly	0.6, 0.65mm *	FX-8301
B3567	Guide Pipe Assembly	0.8mm	
B3568	Guide Pipe Assembly	1.0mm	
B3569	Guide Pipe Assembly	1.2mm	
B3570	Guide Pipe Assembly	1.6mm (373)	
B3571	Guide Pipe Assembly	1.6mm (374)	
B3485	Guide Pipe J	0.6 ~ 1.0mm	FM-2027, FM-2028, 912
B3486	Guide Pipe K	1.2mm	
B3489	Retaining clip	-	FH-100, FH-200
B2158	Clip C	-	907, 908, FX-8301
B3487	Clip D	-	FM-2027, FM-2028
B3488	Clip E	-	912

* Dia. of solder 0.65mm is available for HAKKO 373 only.